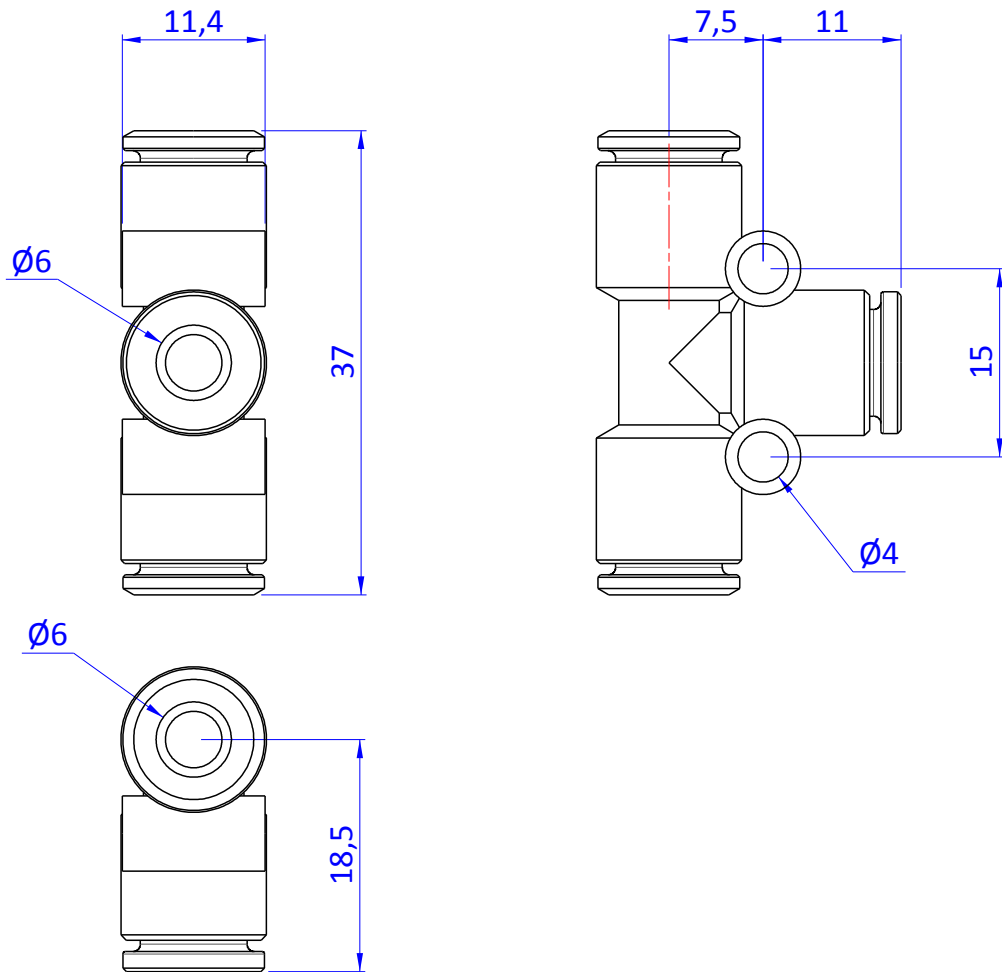
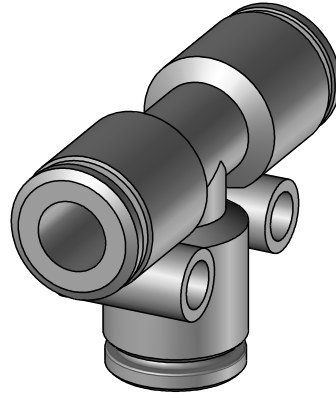

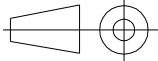


THE PROPERTY OF THE DRAWING IS ESTABLISHED BY LAW. IT IS FORBIDDEN TO PRODUCE OR SHOW IT TO THIRD PART. WITHOUT A WRITTEN AGREEMENT.



| | | | | | | | |
|-------------------------|--|----------------|--|---------------|----------------|--------------|---------|
| Format A4 UNI 936-76 |  FPSERVICES AUTOMATION | |  | DESIGNED FROM | FPS Automation | REVIEW | A |
| | | | | DATE | 30/04/2016 | WEIGHT | 0.009Kg |
| | GENERAL TOLERANCE | UNI - ISO 2768 | DESCRIPTION | CA.12.05.013 | CODE | CA.12.05.013 | |